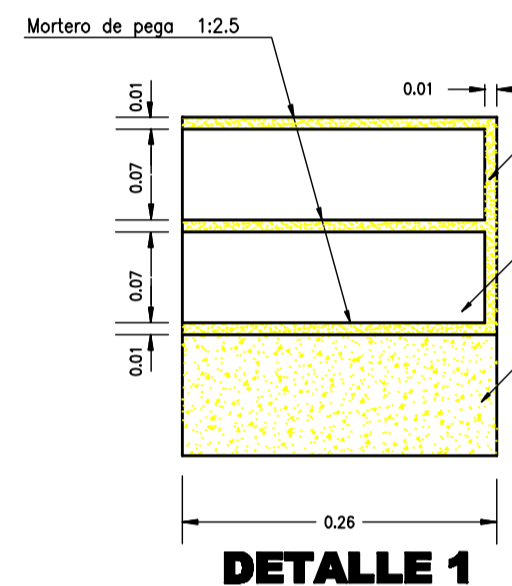
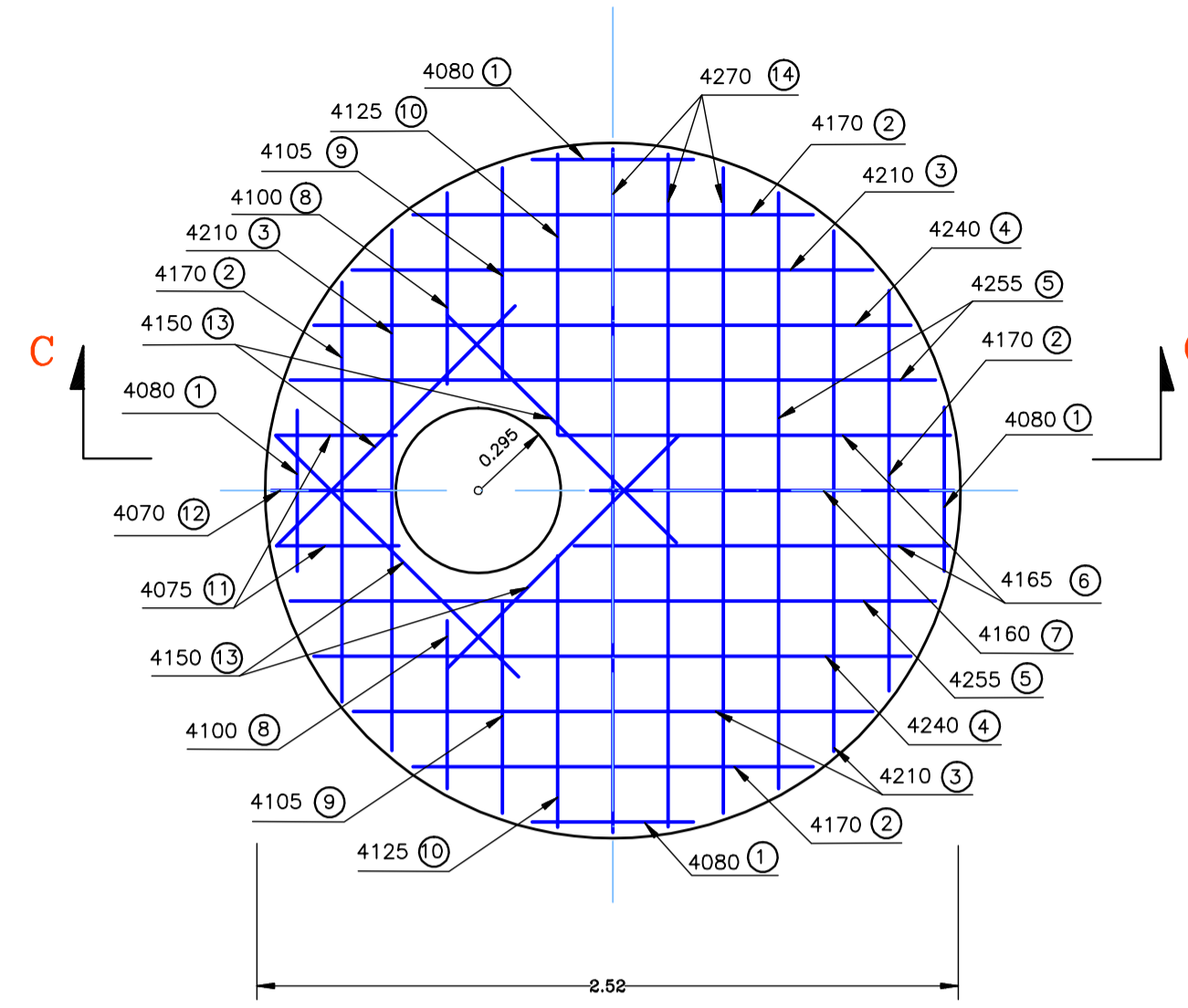


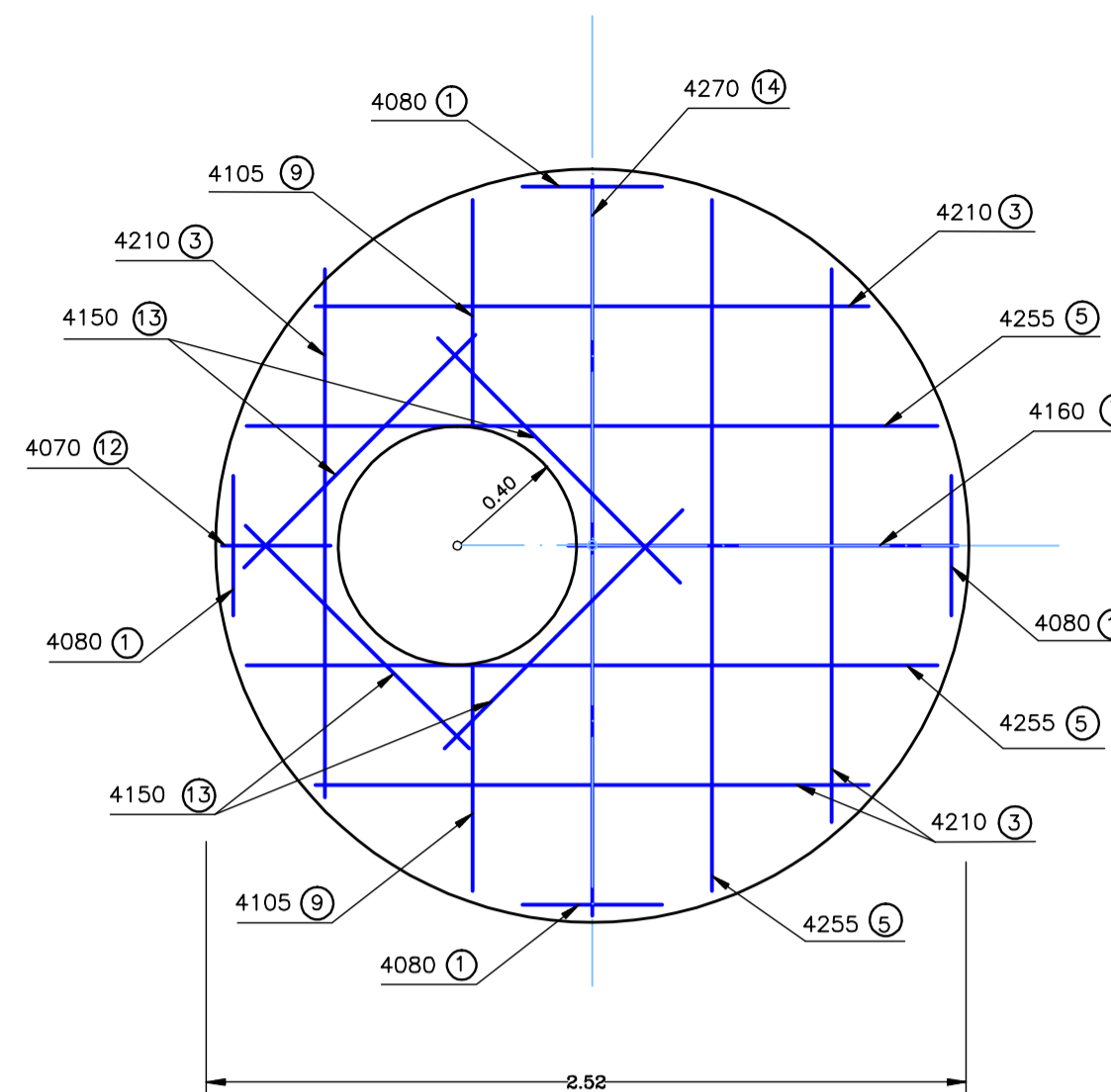
SECCION VERTICAL



DETALLE 1

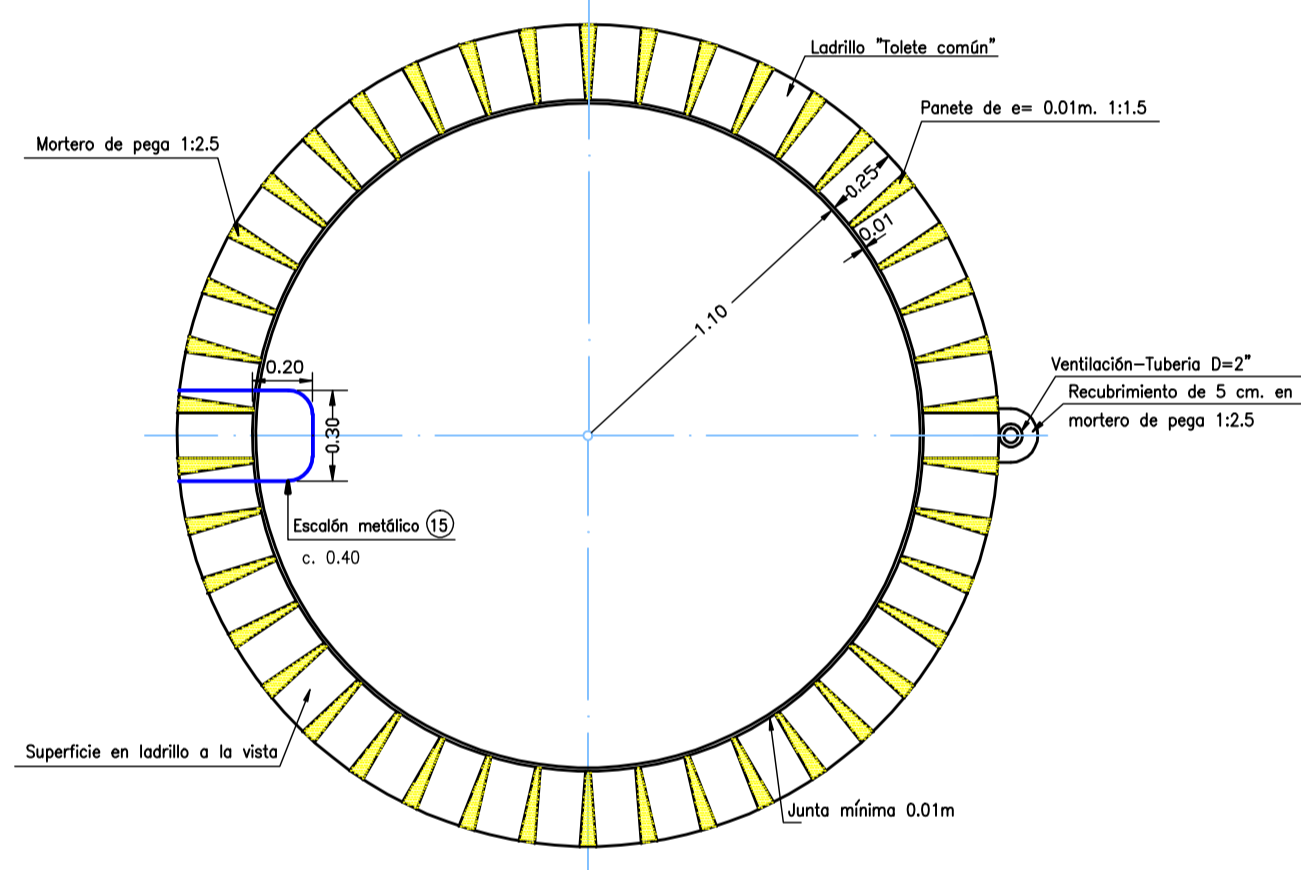


REFUERZO INFERIOR



REFUERZO SUPERIOR

CORTE B - B

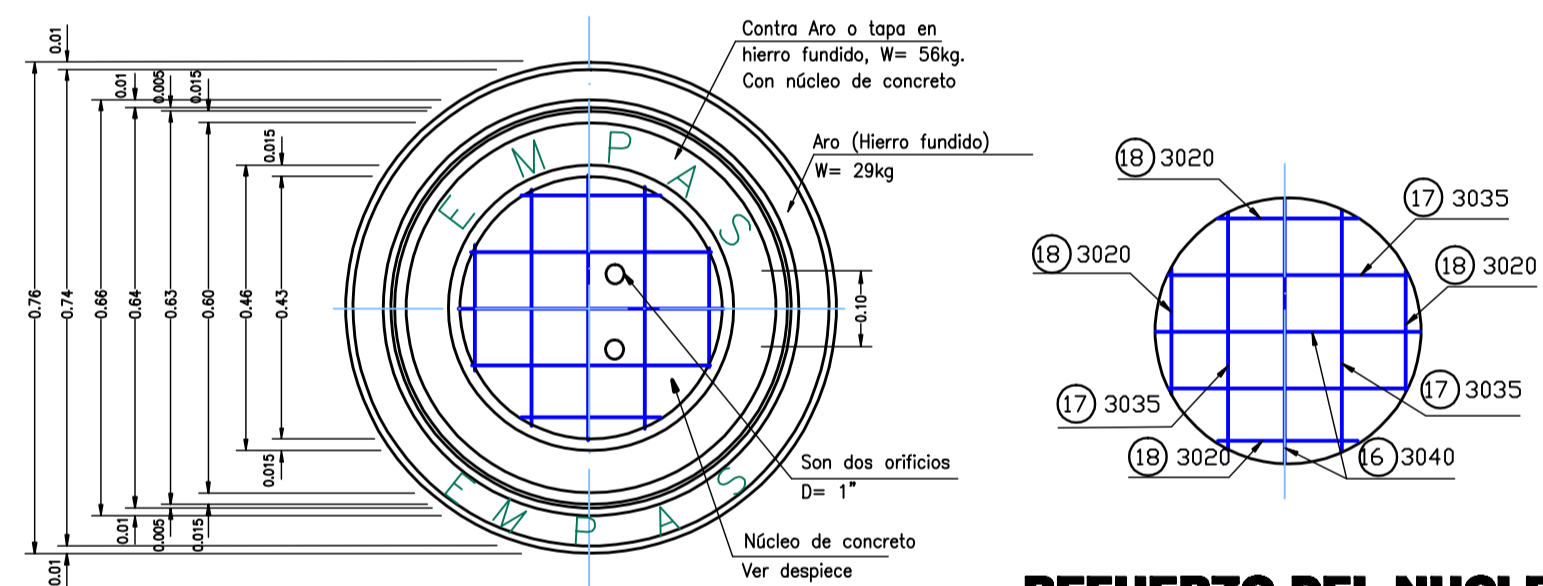


CANTIDADES APROXIMADAS DE OBRA

- ESTRUCTURA DE LADRILLO D = 2.20 POR M DE PROFUNDIDAD Ladrillo (0.25x0.12x0.07) 665 Und.  
Mortero de pega 1:2.5 0.7 M
- GONO DE REDUCCION H=0.40 Ladrillo (0.25x0.12x0.07) 260 Und.  
Mortero de pega 1:2.5 0.30 M
- PLACA Concreto f c=3.000 psi. 1.00 M<sup>3</sup>  
Acero de refuerzo fy=2 4.200 k/cm<sup>2</sup> o similar
- TAPA Concreto f c=3.000 psi. 0.04 M<sup>3</sup>  
Acero de refuerzo fy=2 4.200 k/cm<sup>2</sup> o similar
- ESCALONES Acero de refuerzo fy=2 4.200 k/cm<sup>2</sup> o similar

DESPIECE Y CANTIDADES DE OBRA PARA PLACA Y TAPA

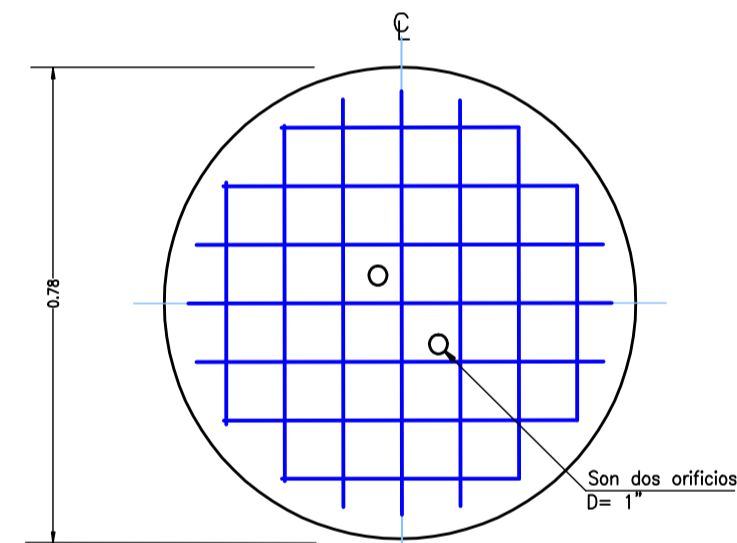
| TIPO                   | # | MARCA | A    | B    | C    | D | E | CANT. | LONG. UNIT. (m) | LONG. TOTAL (m) | PESO TOTAL (Kg) | FORMA                      |
|------------------------|---|-------|------|------|------|---|---|-------|-----------------|-----------------|-----------------|----------------------------|
| 1                      | 4 | 4080  | 0.15 | 0.50 |      |   |   | 8     | 0.80            | 6.40            | 6.40            |                            |
| 2                      | 4 | 4170  | 0.15 | 1.40 |      |   |   | 4     | 1.70            | 6.80            | 6.80            |                            |
| 3                      | 4 | 4210  | 0.15 | 1.80 |      |   |   | 8     | 2.10            | 16.80           | 16.80           |                            |
| 4                      | 4 | 4240  | 0.15 | 2.10 |      |   |   | 3     | 2.40            | 7.20            | 7.20            |                            |
| 5                      | 4 | 4255  | 0.15 | 2.25 |      |   |   | 6     | 2.55            | 15.30           | 15.30           |                            |
| 6                      | 4 | 4165  | 0.15 | 1.35 |      |   |   | 2     | 1.65            | 3.30            | 3.30            |                            |
| 7                      | 4 | 4160  | 0.15 | 1.30 |      |   |   | 2     | 1.60            | 3.20            | 3.20            |                            |
| 8                      | 4 | 4100  | 0.15 | 0.70 |      |   |   | 2     | 1.00            | 2.00            | 2.00            |                            |
| 9                      | 4 | 4105  | 0.15 | 0.75 |      |   |   | 4     | 1.05            | 4.20            | 4.20            |                            |
| 10                     | 4 | 4125  | 0.15 | 0.95 |      |   |   | 2     | 1.25            | 2.50            | 2.50            |                            |
| 11                     | 4 | 4075  | 0.15 | 0.45 |      |   |   | 2     | 0.75            | 1.50            | 1.50            |                            |
| 12                     | 4 | 4070  | 0.15 | 0.40 |      |   |   | 2     | 0.70            | 1.40            | 1.40            |                            |
| 13                     | 4 | 4150  | 0.15 | 1.20 |      |   |   | 8     | 1.50            | 12.00           | 12.00           |                            |
| 14                     | 4 | 4270  | 0.15 | 2.40 |      |   |   | 4     | 2.80            | 11.30           | 11.30           |                            |
| TOTALES PARA UNA PLACA |   |       |      |      |      |   |   |       |                 | ACERO REFUERZO  | 82.50           | Conc 3.000 p.s.i.          |
| 15                     | 6 | 6122  | 0.46 | 0.30 | 0.15 |   |   |       | 1.52            |                 |                 |                            |
| 16                     | 3 | 3040  | 0.40 |      |      |   |   | 4     | 0.40            | 1.60            | 0.40            |                            |
| 17                     | 3 | 3035  | 0.35 |      |      |   |   | 8     | 0.35            | 2.80            | 1.57            |                            |
| 18                     | 3 | 3020  | 0.20 |      |      |   |   | 8     | 0.20            | 1.60            | 0.90            |                            |
| TOTALES PARA UNA TAPA  |   |       |      |      |      |   |   |       |                 | ACERO REFUERZO  | 2.87            | Concreto 3.000 psi. 0.60 M |



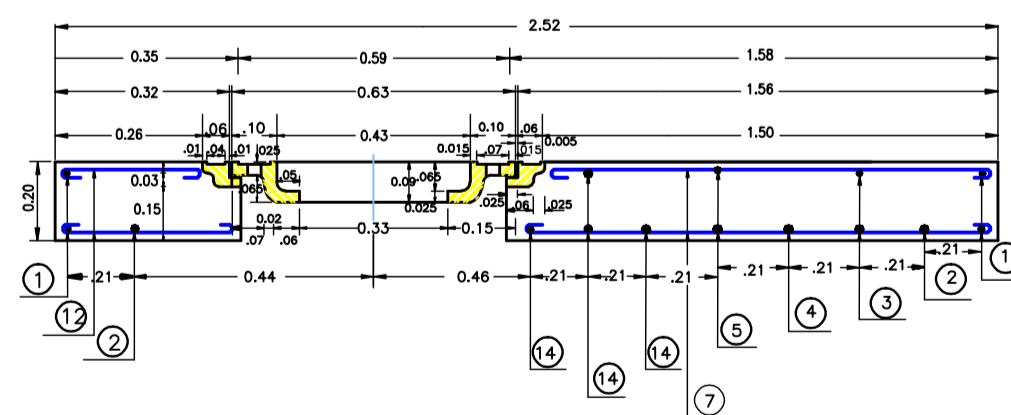
PLANTA TAPA - DIMENSIONES

REFUERZO DEL NUCLEO

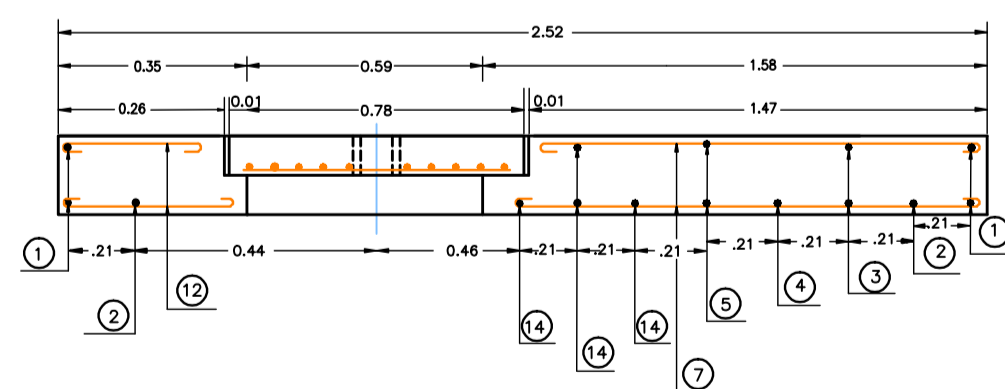
(Son dos parrillas)



REFUERZO TAPA



REFUERZO - DIMENSIONES PLACA Y TAPA VEHICULAR



REFUERZO - DIMENSIONES PLACA Y TAPA PEATONAL

CORTE C - C

Tipo:  
V= Vehicular  
P= Peatonal

| ESTRUCT. POZO | T I P O | COTA RASANTE | COTA B | COTA A | H (m) | TUBERIA SANIT. PVC (m) | CONCRETO LADRILLO (m2) | PLACA Y ARO ARMADURA (m3) | PESO (kg) |
|---------------|---------|--------------|--------|--------|-------|------------------------|------------------------|---------------------------|-----------|
| PMENSJR139    | P       | 792.47       | 791.97 | 795.16 | 1.71  |                        | 16.29                  | 1.04                      | 123.02    |
| PMENSJR140    | P       | 790.77       | 790.77 | 789.54 | 0.63  | 0.63                   | 7.52                   | 1.04                      | 119.66    |
| PMENSJR141    | P       | 789.12       | 788.52 | 788.09 | 0.43  |                        | 6.42                   | 1.04                      | 112.94    |
| PMENSJR142    | P       | 787.25       | 786.65 | 786.30 | 0.35  |                        | 5.77                   | 1.04                      | 112.94    |
| PMENSJR143    | P       | 788.16       | 787.56 | 785.65 | 1.91  |                        | 17.85                  | 1.04                      | 126.38    |
| PMENSJR144    | P       | 785.14       | 784.54 | 784.00 | 0.54  |                        | 7.23                   | 1.04                      | 112.94    |
| PMENSJR145    | P       | 786.84       | 786.24 | 783.39 | 2.85  |                        | 25.13                  | 1.04                      | 133.10    |
| PMENSJR146    | P       | 789.60       | 789.00 | 787.60 | 1.40  |                        | 13.91                  | 1.04                      | 159.98    |
| PMENSJR147    | P       | 784.86       | 784.26 | 782.17 | 2.09  | 2.09                   | 19.26                  | 1.04                      | 133.10    |
| PMENSJR148    | P       | 777.32       | 776.72 | 776.45 | 0.27  |                        | 5.21                   | 1.04                      | 112.94    |
| PMENSJR149    | P       | 776.35       | 775.75 | 776.08 | 0.00  |                        | 3.09                   | 1.04                      | 106.22    |
| PMENSJR150    | P       | 776.62       | 776.02 | 775.97 | 0.15  |                        | 4.26                   | 1.04                      | 109.58    |
| PMENSJR151    | P       | 777.97       | 777.37 | 775.75 | 1.62  |                        | 15.65                  | 1.04                      | 119.66    |
| PMENSJR152    | P       | 779.69       | 779.09 | 775.59 | 3.50  |                        | 30.17                  | 1.04                      | 136.46    |
| PMENSJR153    | P       | 782.82       | 782.22 | 780.82 | 1.40  |                        | 13.91                  | 1.04                      | 163.34    |
| PMENSJR154    | P       | 780.24       | 779.64 | 778.24 | 1.40  |                        | 13.91                  | 1.04                      | 143.18    |
| PMENSJR155    | P       | 783.24       | 782.64 | 781.24 | 1.40  |                        | 13.91                  | 1.04                      | 170.06    |
| PMENSJR156    | P       | 784.38       | 783.78 | 782.38 | 1.40  |                        | 13.91                  | 1.04                      | 183.50    |
| PMENSJR157    | V       | 784.30       | 783.70 | 782.30 | 1.40  |                        | 13.91                  | 1.01                      | 177.00    |
| PMENSJR158    | V       | 784.16       | 783.56 | 782.16 | 1.40  |                        | 13.91                  | 1.01                      | 180.36    |
| PMENSJR159    | V       | 784.20       | 783.60 | 782.20 | 1.40  |                        | 13.91                  | 1.01                      | 180.36    |
| PMENSJR160    | V       | 784.13       | 783.53 | 782.13 | 1.40  |                        | 13.91                  | 1.01                      | 183.72    |
| PMENSJR161    | V       | 783.41       | 782.81 | 781.41 | 1.40  |                        | 13.91                  | 1.01                      | 180.36    |
| PMENSJR162    | V       | 780.52       | 779.92 | 778.52 | 1.40  |                        | 13.91                  | 1.01                      | 156.84    |
| PMENSJR163    | V       | 786.18       | 785.58 | 784.18 | 1.40  |                        | 13.91                  | 1.01                      | 207.24    |
| PMENSJR164    | V       | 784.35       | 783.75 | 782.35 | 1.40  |                        | 13.91                  | 1.01                      | 193.80    |
| PMENSJR165    | V       | 780.85       | 780.25 | 778.85 | 1.40  |                        | 13.91                  | 1.01                      | 166.92    |
| PMENSJR166    | V       | 777.38       | 776.78 | 775.38 | 1.40  |                        | 13.91                  | 1.01                      | 140.04    |
| PMENSJR167    | V       | 773.79       | 773.19 | 771.98 | 1.21  | 1.21                   | 12.44                  | 1.01                      | 116.52    |
| PMENSJR168    | V       | 767.85       | 767.25 | 766.69 | 0.56  | 0.56                   | 7.45                   | 1.01                      | 113.16    |
| PMENSJR169    | V       | 763.79       | 763.19 | 762.14 | 1.05  |                        | 11.18                  | 1.01                      | 113.16    |
| PMENSJR170    | V       | 761.74       | 761.14 | 760.90 | 0.24  |                        | 4.98                   | 1.01                      | 103.08    |
| PMENSJR171    | V       | 760.57       | 759.97 | 759.76 | 0.21  |                        | 4.72                   | 1.01                      | 106.44    |
| PMENSJR172    | V       | 759.42       | 758.82 | 758.47 | 0.35  |                        | 3.78                   | 1.01                      | 106.44    |
| PMENSJR173    | V       | 758.00       | 757.40 | 756.97 | 0.43  |                        | 6.44                   | 1.01                      | 106.44    |
| PMENSJR174    | V       | 758.72       | 758.12 | 756.16 | 1.96  |                        | 18.25                  | 1.01                      | 119.88    |
| PMENSJR175    | V       | 759.33       | 758.73 | 755.43 | 3.30  |                        | 28.56                  | 1.01                      | 129.96    |